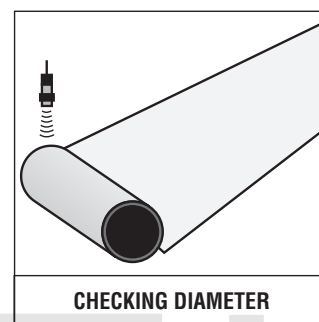
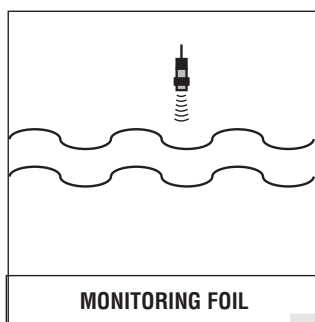
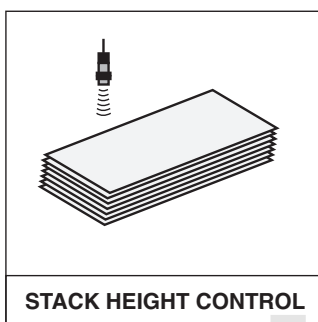
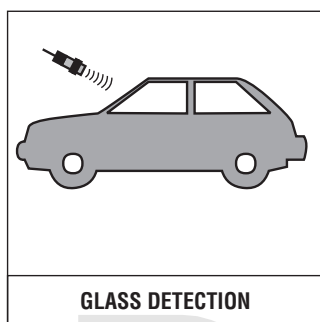
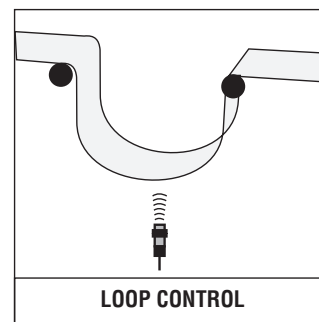
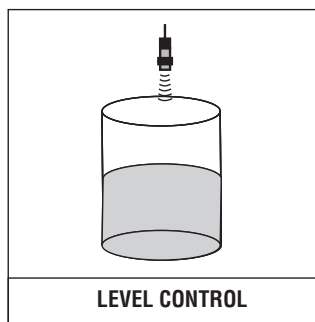
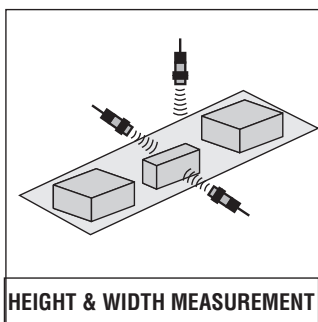
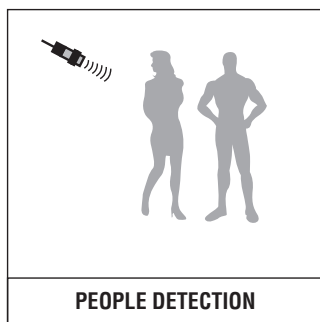


ULTRASONIC SENSOR

US



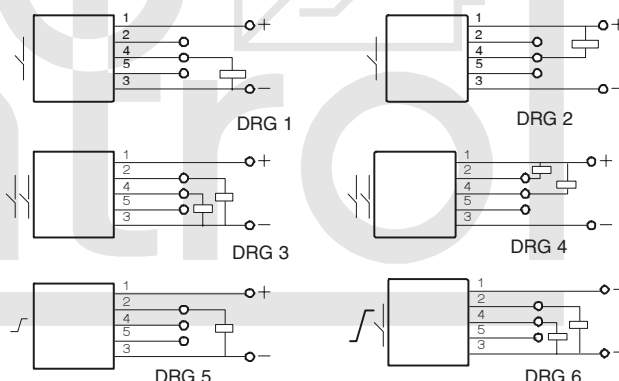
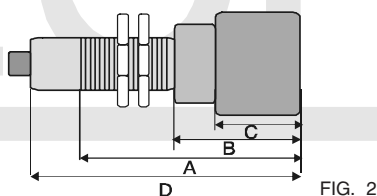
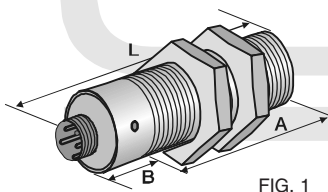
FEATURES :

- Resolution 0.18 mm
- 1 or 2 PNP/NPN Switching O/P
- Models with digital display
- Operation under rough condition
- Built in Temperature Compensation
- Senses almost all material like coffee, colour, sheets, fabrics, chips, grains

- Performance do not get effected by colour of object
- Analog Output 4-20 mA & 0-10V plus one switching O/P
- M30 Cylindrical design.
- Teach In function models available

Common Specifications :

Supply Voltage : 10-30 V DC
Operating Temp :-25 to 70 degree cent.



SIZE	SENSING LOGIC RANGE mm	OPERATION	SWITCH FREQ Hz.	FIG. NO	DIMENSIONS A B C	L	WIRING DIAGRAM	TYPE NO	
SINGLE SWITCHING OUTPUT DC									
M30	250	PNP	NO	11	1	51 33 —	84	1	US D4 OG NO S2.5
M30	250	NPN	NO	11	1	51 33 —	84	2	US D4 OS NO S2.5
M30	350	PNP	NO	08	1	51 33 —	84	1	US D4 OS NO S3.5
M30	350	PNP	NO	08	1	51 33 —	84	2	US D4 OS NO S3.5
M30	1300	PNP	NO	06	1	51 33 —	84	1	US D4 OG NO S13
M30	1300	NPN	NO	06	1	51 33 —	84	2	US D4 OS NO S13
M30	3400	PNP	NO	03	2	69 33 19.5	102	1	US D4 OG NO S34
M30	3400	NPN	NO	03	2	69 33 19.5	102	2	US D4 OS NO S34
M30	6000	PNP	NO	02	2	72 33 22.5	105	1	US D4 OG NO S60
M30	6000	NPN	NO	02	2	72 33 22.5	105	2	US D4 OS NO S60
M30	250	PNP	NO	11	1	64 20 —	84	1	US D4 OG NO S2.5
M30	350	PNP	NO	08	1	64 20 —	84	1	US D4 OG NO S3.5
M30	1300	PNP	NO	06	1	64 20 —	84	1	US D4 OG NO S13
M30	3400	PNP	NO	03	2	69 33 19.5	102	1	US D4 OG NO S34
M30	6000	PNP	NO	02	2	72 33 22.5	105	1	US D4 OG NO S60

SIZE	SENSING LOGIC		OPERATION	SWITCH FIG. NO	FREQ Hz.	DIMENSIONS			L	WIRING DIAGRAM	TYPE NO
	RANGE	mm				A	B	C			

DOUBLE SWITCHING OUTPUT (DC)

M30	250	PNP	NO	11	1	51	33	—	84	3	US D4 OG NO D2.5
M30	250	NPN	NO	11	1	51	33	—	84	4	US D4 OS NO D2.5
M30	350	PNP	NO	08	1	51	33	—	84	3	US D4 OG NO D3.5
M30	350	NPN	NO	08	1	51	33	—	84	4	US D4 OS NO D3.5
M30	1300	PNP	NO	06	1	51	33	—	84	3	US D4 OG NO D13
M30	1300	NPN	NO	06	1	51	33	—	84	4	US D4 OS NO D13
M30	3400	PNP	NO	03	2	69	33	19.5	102	3	US D4 OG NO D34
M30	3400	NPN	NO	03	2	69	33	19.5	102	4	US D4 OS NO D34
M30	6000	PNP	NO	02	2	72	33	22.5	105	3	US D4 OG NO D34
M30	6000	NPN	NO	02	2	72	33	22.5	105	4	US D4 OS NO D34

ANALOG OUTPUT

M30	250	—	—	320	1	51	33	—	84	5	US A4 A2.5
M30	350	—	—	400	1	51	33	—	84	5	US A4 A3.5
M30	1300	—	—	200	1	51	33	—	84	5	US A4 A13
M30	3400	—	—	120	2	69	33	19.5	102	5	US A4 A34
M30	6000	—	—	80	3	72	33	22.5	105	5	US A4 A60

ANALOG O/P PLUS SWITCHED O/P

M30	250	—	—	320	1	51	33	—	84	6	US AD4 2.5
M30	350	—	—	400	1	51	33	—	84	6	US AD4 3.5
M30	1300	—	—	200	1	51	33	—	84	6	US AD4 13
M30	3400	—	—	120	2	69	33	19.5	102	6	US AD4 34
M30	6000	—	—	80	3	72	33	22.5	105	6	US AD4 60

ANTICOLLISION / COLLISION PREVENTOR SWITCH KPS – P 3000S

FEATURES :

Suitable for collision prevention of mobile objects like cranes
 Adjustable sensing range up to 5 Meters in diffuse and 20 Meters in retro reflective mode
 Easy installation
 Two relay outputs with separate gain control

SPECIFICATIONS:

- Supply : 230 V AC
- Range : 0.5 to 5 Meters
- Light Source : Infrared Diode
- O/P : 2 C/O relay contact , 2 Amp, as well as 2 nos. NPN transistor O/P

