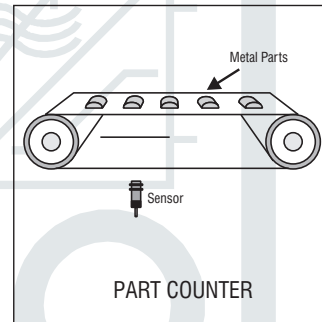
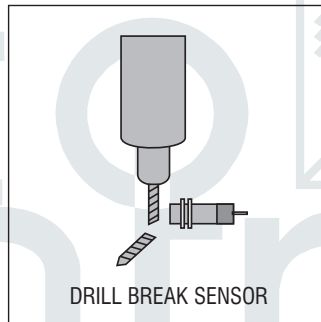
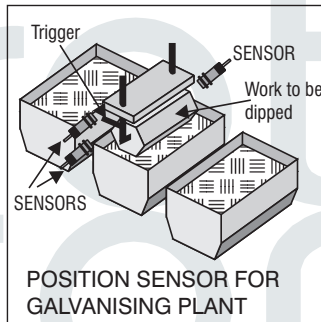
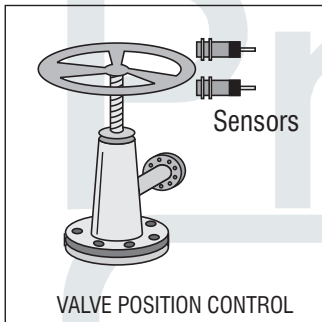
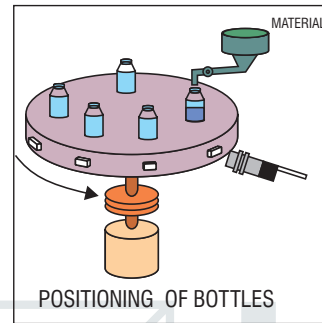
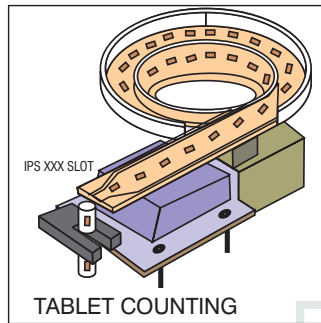
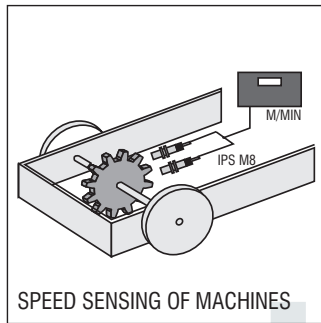
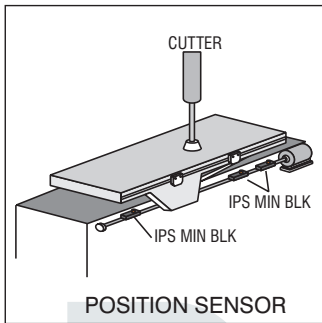
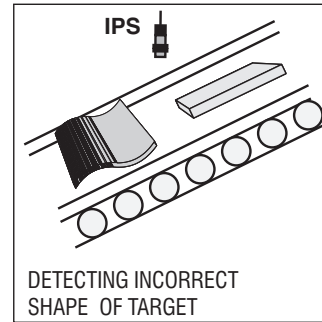
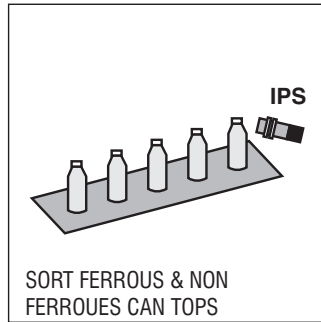
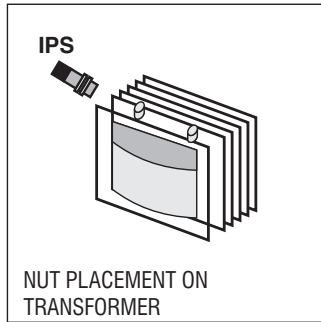
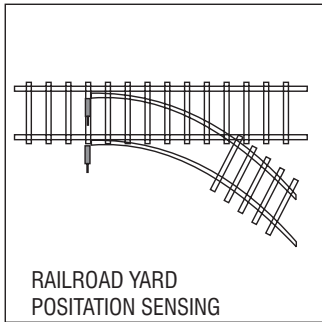


APPLICATION SKETCHES : INDUCTIVE PROXIMITY SWITCH



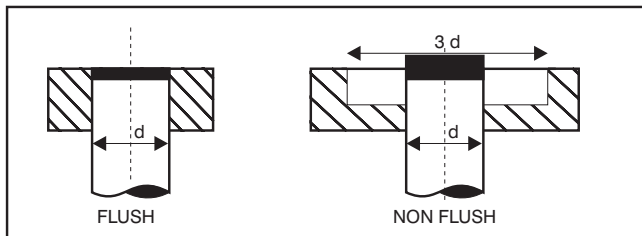
INDUCTIVE PROXIMITY SWITCH - SERIES

Flush Mounting:

Fixing of switches in the metal up to their sensing face.

Non-Flush Mounting:

These switches are to be mounted keeping metal free zone around its sensing face.



SENSING DISTANCE

Sensing Distance of inductive Proximity Switch depends on, Size of the Proximity Switch/ Sensing Face and Material to be sensed.

OBJECT

The sensing distance specified here is for object made of mild steel, having thickness of 1 mm. Size of the object should be at least equal to the diameter of switch / sensing face. For object other than M.S. apply suitable correction factor

CORRECTION FACTOR :

Apply following correction factor (%) when object is other than Mild Steel.

MS	CAST IRON	ALUMINIUM	COPPER	SS	BRASS
100	110	45	40	85	50

SALIENT FEATURES :

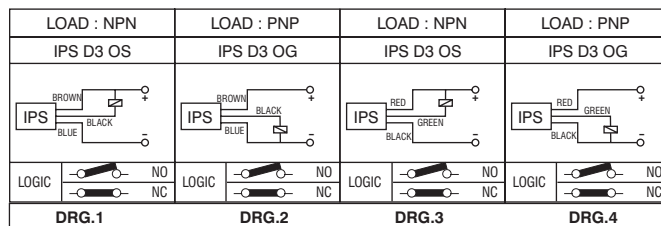
- 1) Repeat Accuracy : 0.02 mm
- 2) Hysteresis : 3-10%
- 3) Grade of Protection : IP 67. For block type: IP 55
- 4) Enclosure : Metallic (Nickel-Chrome plated brass) / stainless steel / plastic.
- 5) LED Indication : Provided.
- 6) Ambient temp : 70 °C max.

THREE WIRE & FOUR WIRE DC SWITCHES :

SERIES : IPS D3

These are three /four wire Switches (+ ve, -ve and output) working on 10-40 V DC. and directly drives DC Relay. These switches are compatible with PLC modules because of its insignificant leakage current (50 uA max) DC switches are divided into two categories according to load connection

- 1) Load connected between supply wire & output wire: OS (NPN)
 - 2) Load connected between ground wire & output wire: OG (PNP)
- Please specify logic whether NO or NC. Special switches with Change-over logic are also available. Special switches with high operating frequency are available for applications of speed sensing. Special protection incorporated within the switch against damage due to back EMF generated by inductive loads like relay.



COMMON SPECIFICATIONS :

SUPPLY VOLTAGE	: 5-40V DC.
VOLTAGE DROP	: Less than 0.5 V
MAX. LOAD CURRENT	: 250 m Amp.
LEAKAGE CURRENT	: Less than 1 m Amp.
ENCLOSURE	: Refer drawing
AMBIENT TEMP	: -25 Degree cent to 70°C
HYSTERESIS	: 3 TO 20 % Of sensing distance
CABLE LENGTH	: 2 Mtrs, 3 Core, PVC cable. Extra cable on request

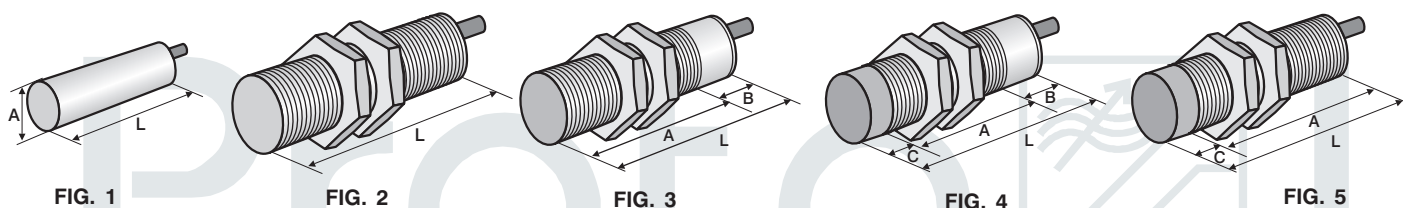
WIRING DIGRAMS

PROTECTIONS

- REVERSE POLARITY PROTECTION : Provided
- SHORT CIRCUIT PROTECTION : Provided for all models except size Ø 4, M 5, Ø 6.5, M8
- PROTECTION AGAINST DAMAGE DUE TO BACK EMF GENERATED BY SWITCHING OF INDUCTIVE LOAD : Provided
- HOUSING PROTECTION CLASS : Totally enclosed, IP 67.
- (for models with built in cable)
- ENCLOSURE MATERIAL : Nickel plated brass with 2 nuts (Other material like S.S, On request)

CYLINDRICAL/THREADED METALLIC ENCLOSURE WITH BUILT IN CABLE

IPS D3 M



SIZE	SENSING RANGE mm	LOAD CONN.	LOGIC	MOUNTING	SWITCH. FREQ Hz.	FIG. NO	DIMENSIONS A B C L	WIRING DRG.	TYPE NO.
Ø 4	0.8	PNP	NO	FLUSH	2000	1	4 - - 28	2	IPS D3 OG NO D4 F
	0.8	NPN	NO	FLUSH	2000	1	4 - - 28	1	IPS D3 OS NO D4 F
M 5	0.8	PNP	NO	FLUSH	2000	3	23 5 - 28	2	IPS D3 OG NO M5 F
	0.8	NPN	NO	FLUSH	2000	3	23 5 - 28	1	IPS D3 OS NO M5 F
Ø 6.5	0.8	NPN	NO	FLUSH	2000	1	6.5 - - 50	2	IPS D3 OS NO D6.5F
	0.8	NPN	NO	FLUSH	2000	1	6.5 - - 50	1	IPS D3 OS NO D6.5F
M 8x1	1	PNP	NO	FLUSH	2000	2	- - - 50	2	IPS D3 OG NO M08F
	1	NPN	NO	FLUSH	2000	2	- - - 50	1	IPS D3 OS NO M08F
M12x1	2-3	PNP	NO	FLUSH	2000	3	40 20 - 60	2	IPS D3 OG NO M12F
	3-4	PNP	NO	NON FLUSH	1000	4	40 20 5 65	2	IPS D3 OG NO M12N
	2-3	NPN	NO	FLUSH	2000	3	40 20 - 60	1	IPS D3 OS NO M12F
	3-4	NPN	NO	NON FLUSH	1000	4	40 20 5 65	1	IPS D3 OS NO M12N
M18x1	4-6	PNP	NO	FLUSH	1000	3	50 20 - 70	4	IPS D3 OG NO M18F
	5-8	PNP	NO	NON FLUSH	1000	4	35 20 10 65	4	IPS D3 OG NO M18N
	4-6	NPN	NO	FLUSH	1000	3	50 20 - 70	3	IPS D3 OS NO M18F
	5-8	NPN	NO	NON FLUSH	1000	4	35 20 10 65	3	IPS D3 OS NO M18N
M24x1.5	6-8	PNP	NO	FLUSH	500	3	50 20 - 70	4	IPS D3 OG NO M24F
	8-10	PNP	NO	NON FLUSH	300	4	35 20 15 70	4	IPS D3 OG NO M24N
	6-8	NPN	NO	FLUSH	500	3	50 20 - 70	3	IPS D3 OS NO M24F
	8-10	NPN	NO	NON FLUSH	300	4	35 20 15 70	3	IPS D3 OS NO M24N
M30x1.5	8-10	PNP	NO	FLUSH	500	3	50 20 - 70	4	IPS D3 OG NO M30F
	10-12	PNP	NO	NON FLUSH	300	4	35 20 15 70	4	IPS D3 OG NO M30N
	8-10	NPN	NO	FLUSH	500	3	50 20 - 70	3	IPS D3 OS NO M30F
	10-12	NPN	NO	NON FLUSH	300	4	35 20 15 70	3	IPS D3 OS NO M30N
M36x1.5	10-12	PNP	NO	FLUSH	500	3	50 20 - 70	4	IPS D3 OG NO M36F
	12-15	PNP	NO	NON FLUSH	300	4	35 20 15 70	4	IPS D3 OG NO M36N
	10-12	NPN	NO	FLUSH	500	3	50 20 - 70	3	IPS D3 OS NO M36F
	12-15	NPN	NO	NON FLUSH	300	4	35 20 15 70	3	IPS D3 OS NO M36N
M50x1.5	12-15	PNP	NO	FLUSH	500	3	50 20 - 70	4	IPS D3 OG NO M50F
	15-17	PNP	NO	NON FLUSH	300	4	35 20 15 70	4	IPS D3 OG NO M50N
	12-15	NPN	NO	FLUSH	500	3	50 20 - 70	3	IPS D3 OS NO M50F
	15-17	NPN	NO	NON FLUSH	300	4	35 20 15 70	3	IPS D3 OS NO M50N
M70x1.75	30-35	PNP	NO	NON FLUSH	100	5	50 - 20 70	4	IPS D3 OG NO M70N
	30-35	NPN	NO	NON FLUSH	100	5	50 - 20 70	3	IPS D3 OS NO M70N

CYLINDRICAL THREADED PLASTIC ENCLOSURE WITH BUILT IN CABLE

IPS D3

M P

HOUSING MATERIAL : Engineering Plastic. These switches are ideal for use in corrosive application. Find use in fertilizer plants & chemical plants

SIZE	SENSING RANGE mm	LOAD CONN.	LOGIC	MOUNTING	SWITCH. FREQ. Hz.	FIG. NO	DIMENSIONS				WIRING DIAGRAM	TYPE NO.
							A	B	C	L		
M18x1	6-8	PNP	NO	NON FLUSH	1000	3	60	20	-	80	4	IPS D3 OG NO M18P
	6-8	NPN	NO	NON FLUSH	1000	3	60	20	-	80	3	IPS D3 OS NO M18P
M30x1.5	10-13	PNP	NO	NON FLUSH	300	3	60	20	-	80	4	IPS D3 OG NO M30P
	10-13	NPN	NO	NON FLUSH	300	3	60	20	-	80	3	IPS D3 OS NO M30P

Switch with non standard tube length, threading and overall dimensions also available. Please consult factory.
NC logic is available. Derive type No. by replacing Logic NO by NC, for example : IPS D3 OG NC M12F

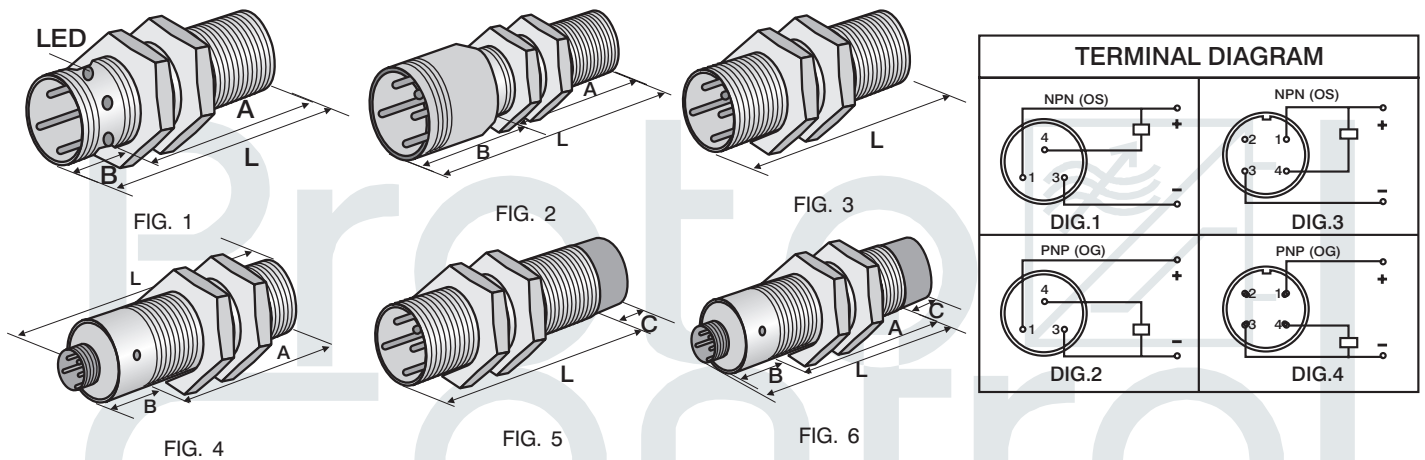
Note : Following special versions are also available please consult Factory 1) 4 wire (NO+NC) switches. 2)High current switches (500 m Amp)

CYLINDRICAL THREADED METALLIC ENCLOSURE WITH QUICK DISCONNECT STYLE CONNECTOR

IPS

D3

M C



ENCLOSURE : Chrome plated brass (other material on request) with DIN Standard male connector.*

SIZE	SENSING RANGE mm	LOAD CONN.	LOGIC	MOUNTING	SWITCH. FREQ. Hz.	CONNECT. SIZE	FIG. NO	DIMENSIONS				TERMINAL DIAGRAM	TYPE NO.
								A	B	C	L		
M 8x1	1	PNP	NO	FLUSH	2000	M8	1	50	10	-	60	2	IPS D3 OG NO M08FC8
	1	NPN	NO	FLUSH	1000	M8	1	50	10	-	60	1	IPS D3 OS NO M08FC8
M 8x1	1	PNP	NO	FLUSH	2000	M12	2	45	15	-	60	4	IPS D3 OG NO M08FC12
	1	NPN	NO	FLUSH	2000	M12	2	45	15	-	60	3	IPS D3 OS NO M08FC12
M12x1	2-3	PNP	NO	FLUSH	2000	M12	3	60	-	-	60	4	IPS D3 OG NO M12FC12
	3-4	PNP	NO	NON FLUSH	1000	M12	5	60	-	5	65	4	IPS D3 OG NO M12NC12
	2-3	NPN	NO	FLUSH	2000	M12	3	60	60	-	60	3	IPS D3 OS NO M12FC12
	3-4	NPN	NO	NON FLUSH	1000	M12	5	60	-	5	65	3	IPS D3 OS NO M12NC12
M18x1	4-6	PNP	NO	FLUSH	1000	M12	4	35	20	-	65	4	IPS D3 OG NO M18FC12
	5-8	PNP	NO	NON FLUSH	1000	M12	6	35	20	10	65	4	IPS D3 OG NO M18NC12
	4-6	NPN	NO	FLUSH	1000	M12	4	35	20	-	65	3	IPS D3 OS NO M18FC12
	5-8	NPN	NO	NON FLUSH	1000	M12	6	35	20	10	65	3	IPS D3 OS NO M18NC12
M30x1.5	8-10	PNP	NO	FLUSH	500	M12	4	50	20	-	70	4	IPS D3 OG NO M30FC12
	10-12	PNP	NO	NON FLUSH	300	M12	6	35	20	15	80	4	IPS D3 OG NO M30NC12
	8-10	NPN	NO	FLUSH	500	M12	4	50	20	-	70	3	IPS D3 OS NO M30FC12
	10-12	NPN	NO	NON FLUSH	300	M12	6	35	20	15	80	3	IPS D3 OS NO M30NC12

The termination is as per International standard & is compatible with International brand.

Switch with non standard tube length, threading and overall dimensions also available. Please consult factory.
NC logic is available. Derive type No. by replacing Logic NO by NC for example : IPS D3 OG NC M12F C12

SPECIAL SWITCHES FOR SPECIFIC APPLICATIONS

WELD FIELD IMMUNE INDUCTIVE PROXIMITY SWITCH

IPS D3 WI

The hot arc from arc welding machine is adhesive even with metals or plastics, therefore normal proximity switches are not recommended for welding environment. The weld immune (Spatter-Resistance) type proximity switches are having special spatter resistance front cap and weld immune electronic circuit.

FEATURES :

- Enhanced noise reduction.
- Spatter resistance front face.
- Enclosure: IP 67.

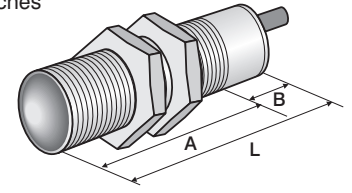


FIG. 1

SIZE	SENSING RANGE mm	LOAD CONN.	LOGIC	MOUNTING	SWITCH. FREQ. Hz.	FIG. NO	DIMENSIONS				WIRING DRG.	TYPE NO.
							A	B	C	L		
M8	1	PNP	NO	FLUSH	2000	1	-	-	-	50	2	IPS D3 OG NO M8 F WI
M8	1	NPN	NO	FLUSH	2000	1	-	-	-	50	1	IPS D3 OS NO M8 F WI
M12	2	PNP	NO	FLUSH	2000	1	40	20	-	60	2	IPS D3 OG NO M12FWI
M12	2	NPN	NO	FLUSH	2000	1	40	20	-	60	1	IPS D3 OS NO M12FWI
M18	4	PNP	NO	FLUSH	1000	1	50	20	-	70	2	IPS D3 OG NO M18FWI
M18	4	NPN	NO	FLUSH	1000	1	50	20	-	70	1	IPS D3 OS NO M18FWI

TWO WIRE DC SWITCHES : FOR PLC/ RELAY APPLICATION

IPS D2 RL

These switches are designed for low load current like PLC, I/O modules and PC applications.

FEATURES :

- | | | | |
|-----------------------------|--------------------------|--------------------|---|
| LOAD CURRENT | : 5-200 mA | OPERATING VOLTAGE | : 10-30 VDC |
| LEAKAGE CURRENT | : Less than 1.5 mA | REPEATABILITY | : Less than 10 % |
| VOLTAGE DROP | : Less than 6.5 V | PROTECTION AGAINST | : Transients ,reverse polarity : provided |
| HYSTERESIS | : Less than 15 % | LED INDICATION | : Provided |
| OPERATING TEMP | : -25 To 70 Degree cent. | | |
| HIGHER CURRENT (on request) | : 500 mA | | |

CYLINDRICAL/THREADED METALLIC ENCLOSURE WITH BUILT IN CABLE

IPS D2 RL M

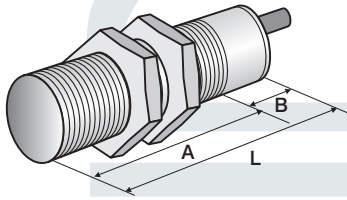


FIG. 1

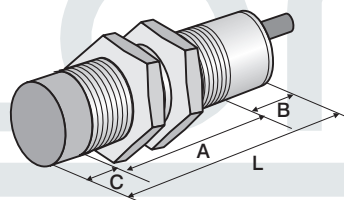


FIG. 2

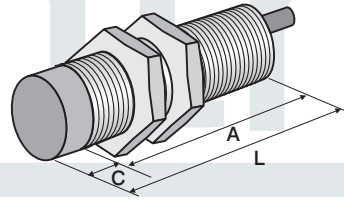
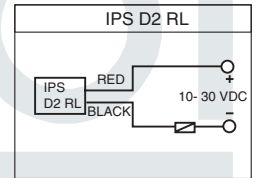


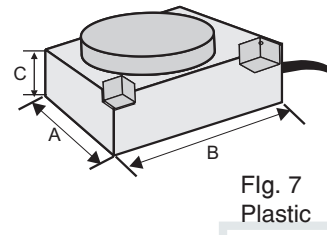
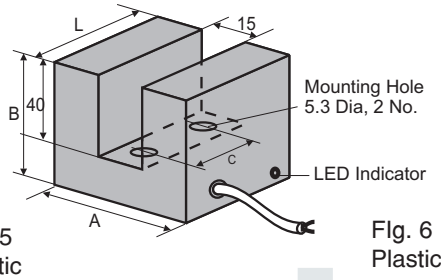
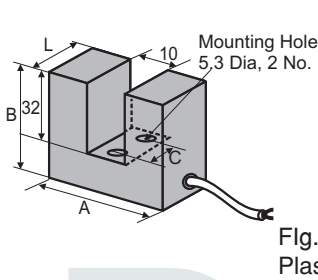
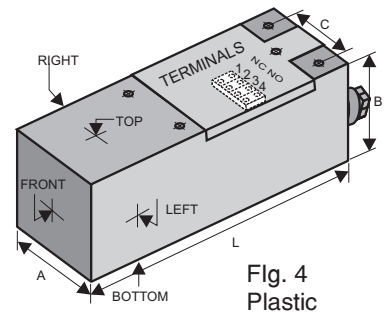
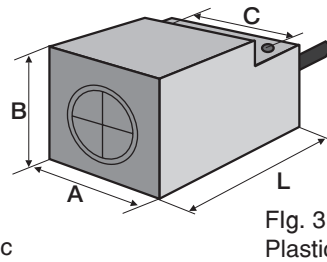
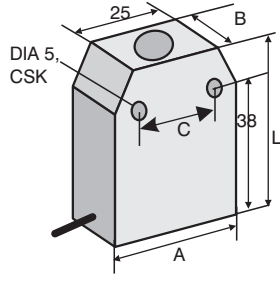
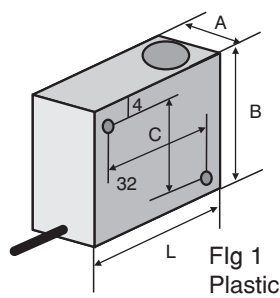
FIG. 3



- CABLE LENGTH PER SWITCH : 2 Mtrs., 2 Core, PVC.
 ENCLOSURE MATERIAL : Cylindrical switches: Nickel plated brass with 2 nuts (other materials like S.S : on request)

SIZE	SENSING RANGE mm	LOAD CONN.	MOUNTING	SWITCH FREQ. Hz.	FIG. NO	DIMENSIONS				TYPE NO.
						A	B	C	L	
M12x1	2	NO	FLUSH	2000	1	40	20	-	60	IPS D2 RL NO M12F
	4	NO	NON FLUSH	1000	2	40	20	5	65	IPS D2 RL NO M12N
M16x1	4	NO	FLUSH	1000	1	-	-	-	60	IPS D2 RL NO M16F
M18x1	5	NO	FLUSH	1000	1	50	20	-	70	IPS D2 RL NO M18F
	8	NO	NON FLUSH	1000	2	35	20	10	65	IPS D2 RL NO M18N
M30x1.5	10	NO	FLUSH	500	1	50	20	-	70	IPS D2 RL NO M30F
	13	NO	NON FLUSH	300	2	35	20	15	70	IPS D2 RL NO M30N
M50x1.75	17	NO	NON FLUSH	100	2	35	20	15	70	IPS D2 RL NO M50N
M70x1.75	30	NO	NON FLUSH	100	3	50	-	20	70	IPS D2 RL NO M70N

Special switches developed for heavy duty applications. Where mounting is done by screws. Switches with fixed sensing face
Please specify model with required sensing face. Ideal for use in chemical & fertilizer industries.



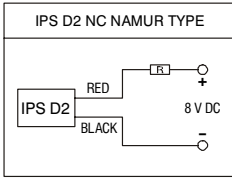
SIZE	SENSING RANGE	LOAD CONN.	LOGIC	SENSING FACE	SWITCH. FREQ. Hz.	FIG. NO	DIMENSIONS				WIRING DIGRAM	TYPE NO.
							A	B	C	L		
11x26x40	2	PNP	NO	SIDE	2000	1	11	26	18	40	4	IPS D3 OG NO B11F
	2	NPN	NO	SIDE	2000						3	IPS D3 OS NO B11F
22x25x42	4	PNP	NO	FRONT	1000	2	42	22	25	48	4	IPS D3 OG NO B22F
	4	NPN	NO	FRONT	1000						3	IPS D3 OS NO B22F
17x17x35	4-6	PNP	NO	FRONT	500	3	17	17	11	35	4	IPS D3 OG NO B17F
	4-6	NPN	NO	FRONT	500						3	IPS D3 OS NO B17F
30x30x52	6-10	PNP	NO	FRONT	500	3	20	20	13	40	4	IPS D3 OG NO B30F
	6-10	NPN	NO	FRONT	500						3	IPS D3 OS NO B30F
40x40x120 WITH TERMINAL COMPARTMENT	15	PNP	NO	FRONT	100	4	40	40	30	112	4	IPS D3 OG NO B40F
	15	PNP	NO	LEFT	100	4	40	40	30	112	4	IPS D3 OG NO B40L
	15	PNP	NO	RIGHT	100	4	40	40	30	112	4	IPS D3 OG NO B40R
	15	PNP	NO	DOWN	100	4	40	40	30	112	4	IPS D3 OG NO B40D
	15	NPN	NO	FRONT	100	4	40	40	30	112	3	IPS D3 OS NO B40F
	15	NPN	NO	LEFT	100	4	40	40	30	112	3	IPS D3 OS NO B40L
	15	NPN	NO	RIGHT	100	4	40	40	30	112	3	IPS D3 OS NO B40R
	15	NPN	NO	DOWN	100	4	40	40	30	112	3	IPS D3 OS NO B40D
80X80 X40	50	PNP	NO+ NC	FRONT	100	7	80	80	40	-	4	IPS D4 OG NONC B80F
	50	NPN	NO+ NC	FRONT	100	7	80	80	40	-	3	IPS D4 OS NONC B80F

SLOT TYPE HOUSING											IPS D3	S
SLOT	10	PNP	NO	SLOT	1000	5	44	45	13	25	4	IPS D3 OG NO S10
SLOT	10	NPN	NO	SLOT	1000	5	44	45	13	25	4	IPS D3 OS NO S10
SLOT	15	PNP	NO	SLOT	1000	5	48	60	18	30	3	IPS D3 OG NO S15
SLOT	15	NPN	NO	SLOT	1000	5	48	60	18	30	3	IPS D3 OS NO S15

Switches also available with quick disconnect style connector.
Switch with non standard tube length, threading and overall dimensions also available. Please consult factory.
NC logic is available. Derive type No. by replacing Logic NO by NC for example : IPS D3 OG NC M12F

TWO WIRE DC SWITCHES INTRINSICALLY SAFE, NAMUR TYPE

IPS D2 NC

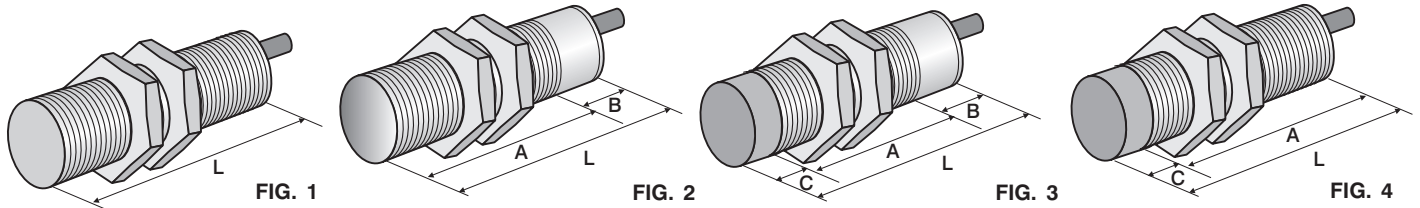


These are two wire current operated switches. The switch is designed for installation in hazardous areas. Switch draws current less than 3 to 4 mA in absence of metal & 1 mA in presence of metal. The switch is suitable for operation in hazardous area Group calcification I, II A, II B, li C, as per IS 5780-1980 temp. class T4 Certified by CMRS Dhanbad), when fed through an intrinsically safe controller or zener barrier. This amplifier unit detects change in current and further processes to give output signal. Amplifier unit along with power supply and output relay fitted in separate enclosure with IP 30 or IP 55 grade of protection. These switches are compatible with internationally available intrinsically safe controller. Refer details under 'Supporting Instruments'.

Supply Voltage : 8 VDC,
 Current Level : Absence of Object : < 3 mA
 : Presence of Object : < 1 mA

CYLINDRICAL /THREADED ENCLOSURE, 2WIRE DC NAMUR TYPE

IPS D2 NC M



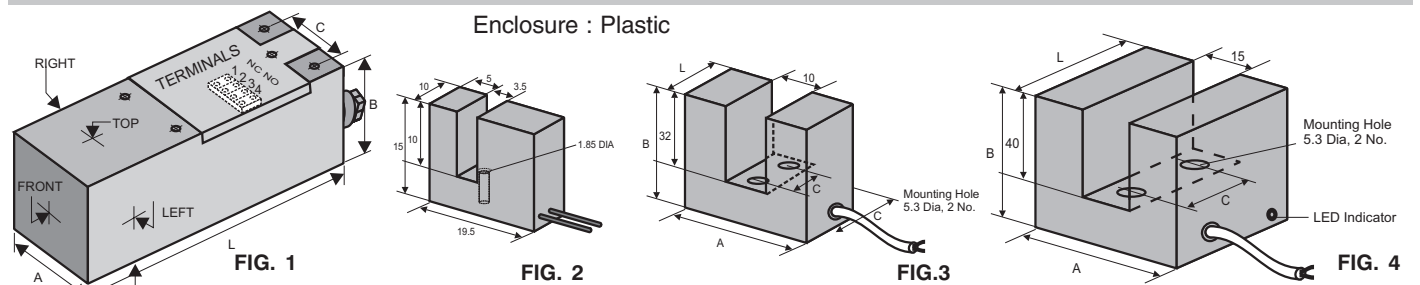
CABLE LENGTH PER SWITCH : 2 Mtrs, 2 core, PVC.
 ENCLOSURE MATERIAL : Nickel plated brass with 2 check nuts (Other enclosure materials like S.S, Plastic : On request)

SIZE	SENSING LOGIC RANGE mm	MOUNTING	SWITCH FREQ Hz.	FIG. NO	DIMENSIONS				TYPE NO
					A	B	C	L	
M 8X1	1	NC	5000	1	50	-	-	50	IPS D2 NC M08F
M 12X1	2	NC	2000	1	60	-	-	60	IPS D2 NC M12F
	4	NC	2000	4	60	-	5	65	IPS D2 NC M12N
M18X1	5	NC	1000	2	50	20	-	70	IPS D2 NC M18F
	8	NC	1000	3	35	20	10	65	IPS D2 NC M18N
M30X1.5	10	NC	500	2	50	20	-	70	IPS D2 NC M30F
	13	NC	500	3	35	20	15	70	IPS D2 NC M30N
M50X1.75	17	NC	100	3	35	20	15	70	IPS D2 NC M50N
M70x1.75	30	NC	100	4	50	-	20	70	IPS D2 NC M70N

SQUARE ENCLOSURE (LIMIT SWITCH HOUSING)

2 WIRE DC NAMUR TYPE

IPS D2 NC B



40X40X 120	15	NC	FRONT	100	1	40	40	30	112	IPS D2 NC B40F
120	15	NC	LEFT	100	1	40	40	30	112	IPS D2 NC B40L
	15	NC	RIGHT	100	1	40	40	30	112	IPS D2 NC B40R
	15	NC	DOWN	100	1	40	40	30	112	IPS D2 NC B40D

SLOT TYPE HOUSING 2 WIRE DC NAMUR TYPE

IPS D2 NC S

SLOT	3.5	NC	SLOT	5000	2	19.5	15	-	10	IPS D2 NC S3.5
SLOT	10	NC	SLOT	2000	3	44	45	13	25	IPS D2 NC S10
SLOT	15	NC	SLOT	1000	4	48	60	18	32	IPS D2 NC S15

Switch with non standard tube length, threading and overall dimensions also available. Please consult factory.

INDUCTIVE PROXIMITY SWITCH TWO WIRE AC SWITCHES

IPS A2

COMMON SPECIFICATIONS:

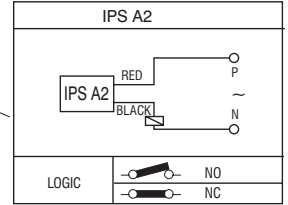
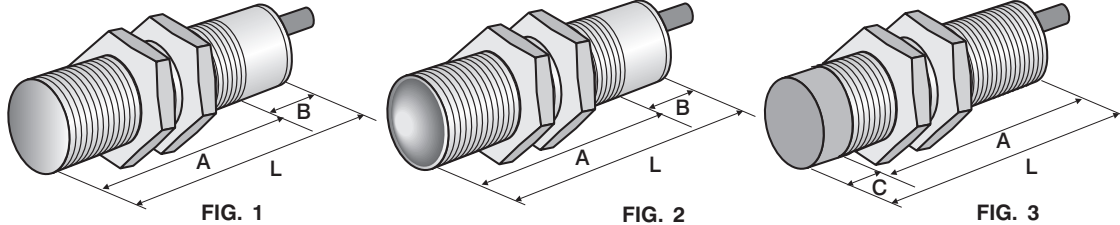
SUPPLY VOLTAGE : 90-250 V AC,45-65 HZ
 MAX.LOAD CURRENT : 250 m Amp.(higher current on request)
 OFF STATE CURRENT : 5 m Amp (220 V AC)
 VOLTAGE DROP ACROSS SWITCH : Aprox. 8 V

HYSTERISIS : 3-20 % Of rated sensing distance.
 REPEATABILITY : <= 5 %
 AMBIENT TEMP : -25 TO 70 Degree cent.
 PROTECTION : Protected against industrial transients
 But not protected against short circuit of load

CYLINDRICAL THREADED METALLIC ENCLOSURE

IPS A2 M

Nickel plated brass enclosure with 2 nuts and Cable : 2 Mts. 2 core PVC.
 ENCLOSURE CLASS : Totally enclosed IP 67.



SIZE	SENSING RANGE mm	LOGIC	MOUNTING	SWITCH FREQ. Hz.	FIG. NO	DIMENSIONS				TYPE NO
						A	B	C	L	
M12x1	2	NO	FLUSH	10	1	70	20	-	90	IPS A2 NO M12F
	4	NO	NON FLUSH	10	2	70	20	5	95	IPS A2 NO M12N
M18x1	4	NO	FLUSH	10	1	60	20	-	80	IPS A2 NO M18F
	8	NO	NON FLUSH	10	2	50	20	10	80	IPS A2 NO M18N
M24x1.5	8	NO	FLUSH	10	1	60	20	-	80	IPS A2 NO M24F
	10	NO	NON FLUSH	10	2	50	20	10	80	IPS A2 NO M24N
M 30x1.5	10	NO	FLUSH	10	1	50	20	-	70	IPS A2 NO M30F
	13	NO	NON FLUSH	10	2	35	20	15	70	IPS A2 NO M30N
M50x1.75	15-17	NO	NON FLUSH	10	2	35	20	15	70	IPS A2 NO M48N
M70x1.75	30	NO	NON FLUSH	10	3	50	-	20	70	IPS A2 NO M50N

TUBULAR THREADED PLASTIC ENCLOSURE

IPS A2 M P

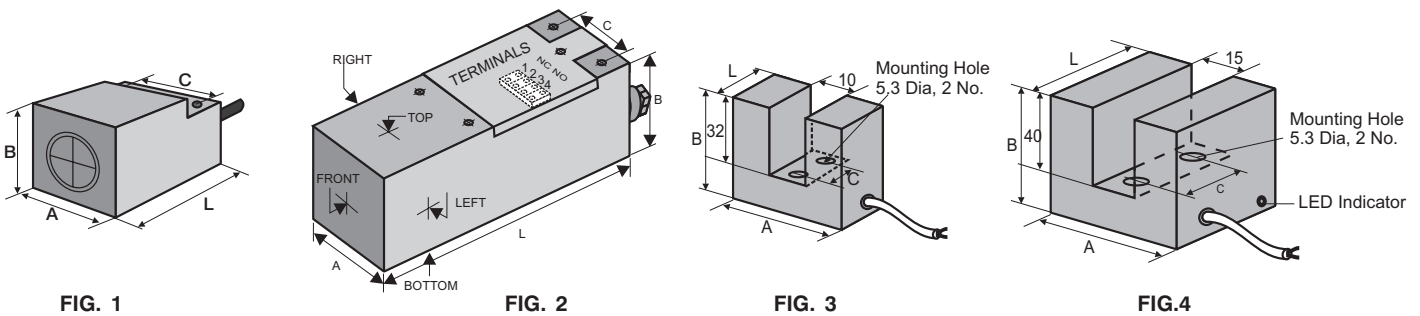
Housing Material : Engineering plastic

M18x1	8	NO	NON FLUSH	10	1	60	20	-	80	IPS A2 NO M18P
	8	NO	NON FLUSH	10	1	60	20	-	80	IPS A2 NC M18P
M 30x1.5	13	NO	NON FLUSH	10	1	60	20	-	80	IPS A2 NO M30P
	13	NC	NON FLUSH	10	1	60	20	-	80	IPS A2 NC M30P

Switch with non standard tube length, threading and overall dimensions also available. Please consult factory.
 NC logic is available. Derive type No. by replacing Logic NO by NC for example : IPS A2 NC M12F
 Switch available with quick disconnect style connector.

SQUARE ENCLOSURE

IPS A2 B



SIZE	SENSING RANGE mm	LOGIC	MOUNTING	SWITCH FREQ. Hz.	FIG. NO	DIMENSIONS				TYPE NO
						A	B	C	L	
40x40	15	NO	FRONT	10	2	40	40	30	112	IPS A2 NO B40F
FIXED	15	NO	LEFT	10	2	40	40	30	112	IPS A2 NO B40F
SENSING	15	NO	RIGHT	10	2	40	40	30	112	IPS A2 NO B40R
FACE	15	NO	DOWN	10	2	40	40	30	112	IPS A2 NO B40D

SLOT ENCLOSURE						IPS A2	S			
SLOT	10	NO	SLOT	10		44	45	13	25	IPS A2 NO SL10
SLOT	15	NO	SLOT	15		48	60	18	32	IPS A2 NO SL15

NOTE :TWO WIRE AC SWITCHES MUST BE WIRED WITH APPROPRIATE LOAD IN SERIES OTHERWISE SWITCH MAY DAMAGED PERMANENTLY